

020-0850  
e-LOCK  
Pull Handle



TriMarks' NEW 020-0850 e-LOCK Pull Handle for off-road applications allows power locking/unlocking via a switch, remote RF FOB or keypad. Based on the proven 020-0800, this robust pull handle brings a new automotive function and convenience to your cabs and enclosures.

**DESIGNED FOR:**

- Medium to heavy-duty agricultural and construction personnel doors
- Off-highway vehicle applications that require a direct release surface mounted exterior pull handle

**Global Locations:**

**TriMark Corporation**  
500 Bailey Avenue  
P.O. Box 350  
New Hampton, Iowa 50659  
United States  
Tel: 641-394-3188  
Fax: 641-394-2392  
1-800-447-0343  
www.trimarkcorp.com

**TriMark Europe**  
Unit 3 Sence Court  
Bardon Hill  
Coalville  
Leicestershire LE67 1GZ  
United Kingdom  
Tel: +44(0)1530 512460  
Fax: +44(0)1530 512461  
www.trimarkeu.com

**TriMark (Xuzhou)**  
Building A5 Jingwu Road  
Xuzhou Economic  
Development Zone  
Xuzhou, Jiangsu  
221004 PR China  
Tel: +86 516 8773 0018  
Fax: +86 516 8773 0058  
www.trimarkcn.com



TriMark. Interactive. Product. Selector



TriMark



TriMark Corporation



TriMark Corporation

### FEATURES/BENEFITS:

- Provides for greater ease of operation (ergonomics) than conventional push button or paddle handles; includes gas-assist molded handle
- Provides the ability to remotely lock the exterior pull handle
- Handle is rigid when locked
- KeyOne™ Plus lock cylinder can be keyed alike with most single and reversible key systems
- Readily adaptable to a variety of door thickness with adjustable connecting link assembly
- PTC overload to protect motor against excessive heating



### AVAILABLE:

- With perimeter gasket and spacers to facilitate mounting and provide resistance to water and dirt infiltration
- Non-power locking version

### MATERIAL:

- Handle and base: glass reinforced nylon
- Threaded inserts: brass

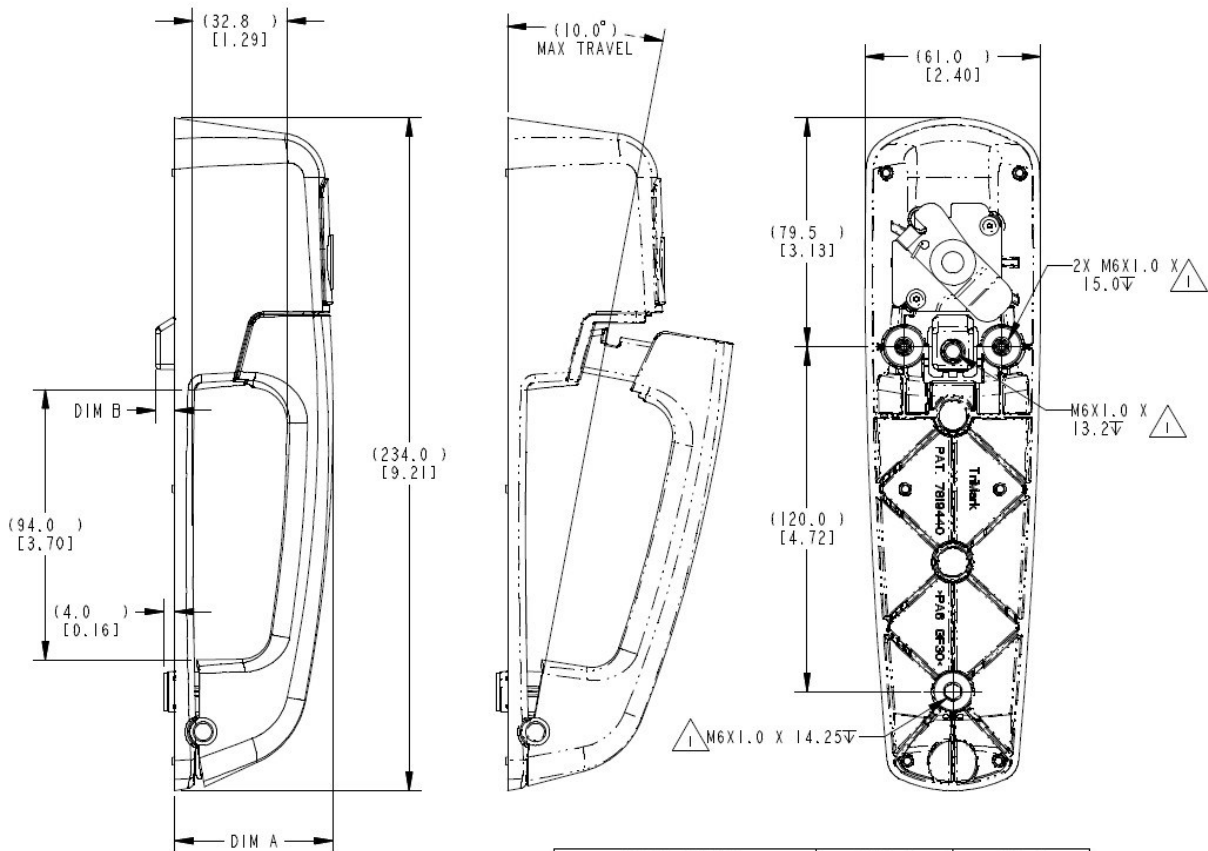
### INSTALLATION:

- Same mounting pattern as 020-0800 Pull Handle — mounts against glass with only two holes or steel with conventional mounting
- Installed with (3) M6 X 1.0 bolts (not included)
- Recommended mounting fastener torque to be 5.6-6.7 N-m (50-59 lbf-in)
- Wire length is 200mm
- Connector customization is available

### U.S. Patent No. 7,819,440

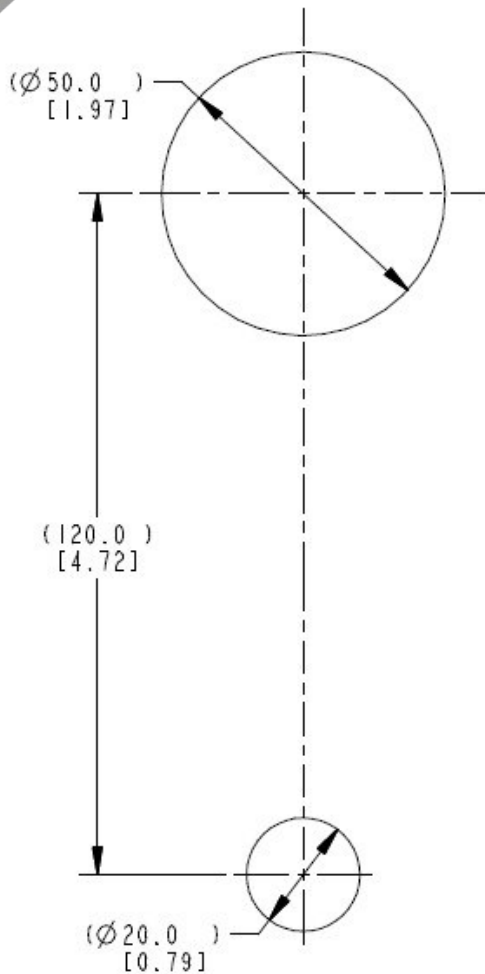
**CAUTION:** Product does not meet the locking requirements for FMVSS 206 (ECE R11).

Individual part dimensions are for reference only. Refer to individual part drawings for complete dimensions, specifications, and installation procedures. Engineering assistance and application drawings are available.

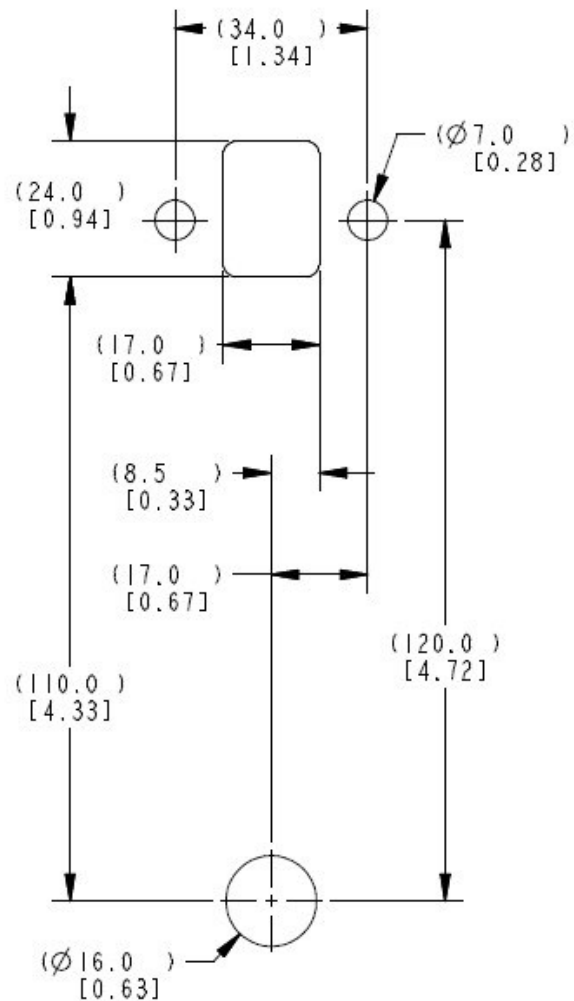


BASE OPTION	DIM A	DIM B
STD (HEIGHT OPTION 1)	55.0 [2.17]	6.7 [0.26]
THICK (HEIGHT OPTION 2)	61.1 [2.41]	0.6 [0.02]

For more information visit  
[www.trimarkcorp.com](http://www.trimarkcorp.com)



RECOMMENDED GLASS MOUNTING  
DOOR CUTOUT DETAIL  
42103-01



RECOMMENDED STEEL MOUNTING  
DOOR CUTOUT DETAIL  
42103-02